



Your Essential LED light system

essential
by ExamVision

Your guide to maximise
system performance



essential

by ExamVision

Using your Essential control unit

Click the button to turn the light on and off. Rotate to alter light intensity. The power indicator will show the unit is switched on.

As a battery-saving precaution, the control unit will not activate unless there is a lamp unit plugged in. Essential control unit is compatible with all ExamVision LED lamps.

Using your belt clip

To attach the belt clip to the back of the control unit, follow the enclosed instructions

Using your Connect attachment

To attach the light firmly to your loupe, use the Connect Key to tighten your Connect attachment locking screw.



Battery care

Follow these guidelines to improve battery life expectancy:

The lithium ion battery inside your **Essential control unit is covered by our warranty for one year** from date of purchase.

- 1** ▶ The battery is partially charged by the manufacturer. We recommend charging before first use.
- 2** ▶ Best practice is to keep your battery charged at more than 30%. Partial charges don't harm your battery.
- 3** ▶ When your battery needs charging, the charge indicator will start to blink. Charge the unit at this point.
- 4** ▶ To charge, attach the charger lead to the charger socket. The charge indicator (Bat.) will come on. When the battery is fully charged, the charge indicator will turn off. We recommend disconnecting the unit at this point, to maximize battery life.
- 5** ▶ When your battery is reaching the end of its natural life, after about 500 charges, you will find it will need

to be charged more frequently. When this starts to limit your working time, it is time to have the battery replaced in the control unit. Your ExamVision dealer will be able to arrange this procedure.

6 ▶

The working time of your battery varies with light intensity. The lowest setting can give you up to 12 hours continuous use, and the highest approximately 3 hours.

Cleaning

Cleaning – clean with a soft cloth, and ensure all jacks and connections are free of dust and dirt.

Water resistance – your light & control unit are not designed to be immersed in water. Clean off any splashes immediately to avoid damaging your unit.

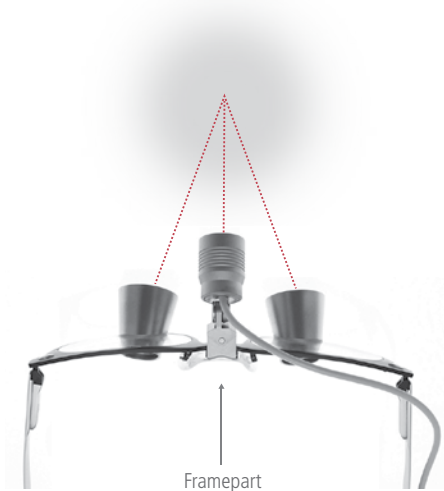
Disinfection – use only alcohol-free disinfection products, such as ExamVision disinfectant wipes (available from your ExamVision dealer). DO NOT use alcohol-based products, ultrasonic cleaners, autoclave or chemical disinfection.

Using your light for the first time

Follow these instructions to set up your light correctly

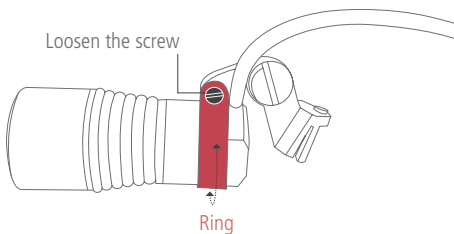
Ensure YOUR LED light is centred correctly by focusing on an object and closing first one eye then the other.

If you find that the light is more to one side of your vision, loosen the screws under the framepart slightly and adjust until the light is perfectly centred with your vision. Complete this process by tightening the screws.



Cable direction

The cable can be attached to the right or left loupe temple. To change side, loosen the small screw and gently turn the ring to the desired position. Ensure the ring touches the cable and tighten the screw.



Replacing your cable

If your cable becomes damaged you can replace it easily. Please contact your local dealer for a new replaceable cable kit.

Help and guidance

Visit our Service Centre on the ExamVision YouTube channel for helpful videos. See QR code on the right.



essential
by ExamVision

Help and guidance

Feel free to contact your local dealer if you have any further questions www.examvision.com/essential